

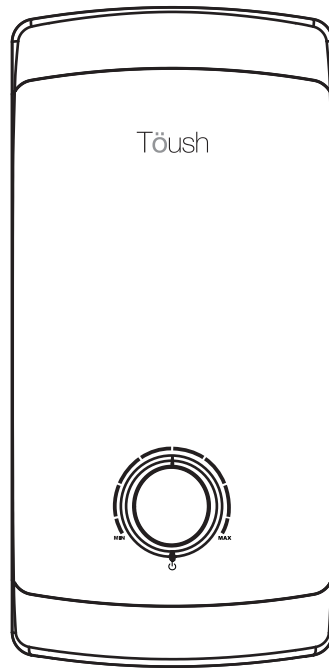
Töush

Inspired by Pensonic

SMART WATER HEATER
T1100SWH-E / SP

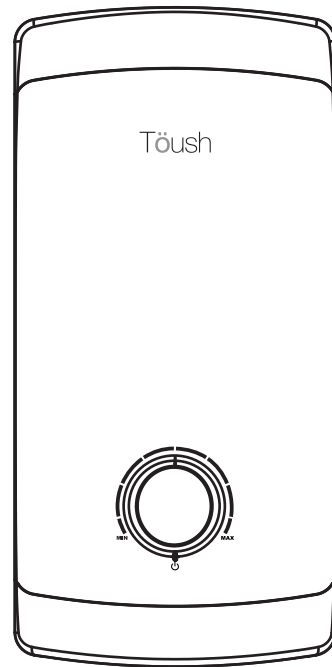
Instruction Manual

Before operating this appliance, please read these instructions completely.



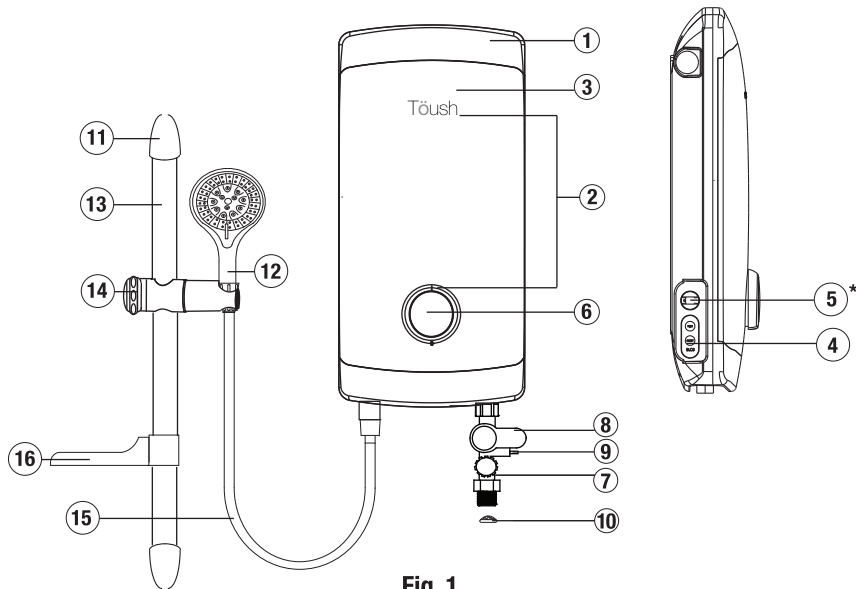
Contents	Page
Parts introduction	02
Technical specifications	05
Before the first use	06
How to use this Water Heater	12
Cleaning and maintenance	14
Important guidelines	15

Thank you for choosing TÖUSH products.
We hope you have an enjoyable experience using our products.

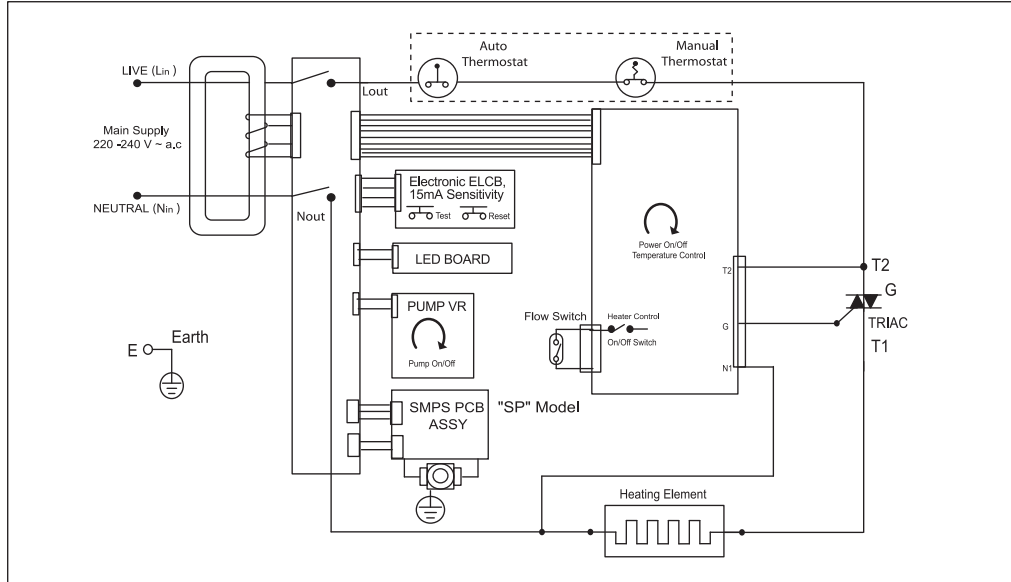


PARTS INTRODUCTION

1. Front Cover
2. Indicator Lights
3. Control Panel
4. ELCB Test Reset Button
5. Pump Knob
6. Temperature Control Knob
7. Filter Valve
8. Stop Valve
9. Flow Regulator Valve
10. Filter
11. Rail Support
12. Hand Shower
13. Slider Rail
14. Adjustable Shower Holder
15. PVC Hose
16. Soap Tray



WIRING DIAGRAM - DPDT (SILENT PUMP MODEL)



TECHNICAL SPECIFICATIONS

Electrical Loading	3.6kW 240V A.C. 50/60Hz
Type	Electronic Power Control
Min. Water Flow Rate	2 Liter / Min.
Min. Inlet Water Pressure	0.1 Bar (10kPa)
Water Connection	Ø15mm ½' BSP Single-Point System
Dimensions	425 x 208 x 102 (mm)
Weight	T1100SWH-E : 3.1kg - ELCB T1100SWH-SP : 3.3kg – ELCB, Silent Pump

Note: The specifications, product design and accessories shown are correct at the time of printing and is subject to change without prior notice.

BEFORE THE FIRST USE

- Select a suitable position in the bathroom.
- Pull the temperature control knob and remove screw A (Fig 3) at the bottom of the product.
- Remove the bottom front cover and then unhook the two parts.
- Mark the 3 screw points of the water heater's base on the wall. The water heater's position should be 1.5 meter away from the bathroom floor.
- Mark the 2 screws points of the slider rail beside the water heater. It is recommended to place the top of rail level with the top of heater.
- Use 6mm diameter drill and make 5 wall plug holes of 34mm depth.
- Insert the wall plugs and mount the water heater firmly in position with the 3 screws provided.
- Insert the shower holder and soap tray onto the slider rail.
- Mount the slider rail on the rail support.
- Remove the cap from the rail support and screw it onto the marked position.
Replace the cap.

WATER HEATER INSTALLATION DIAGRAM

Shower Set Installation Diagram

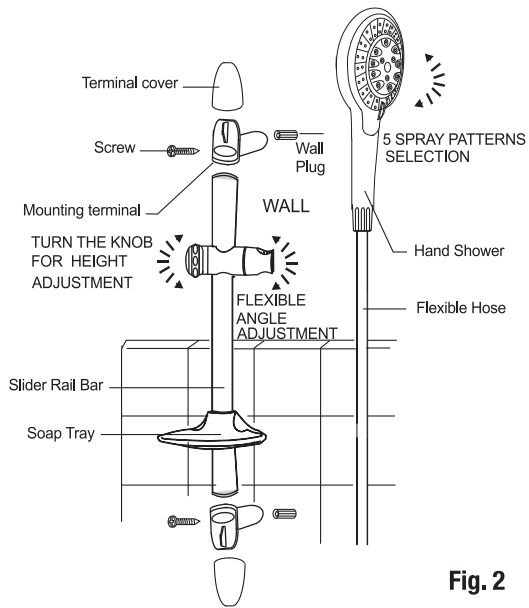


Fig. 2

Heater Unit Installation Diagram

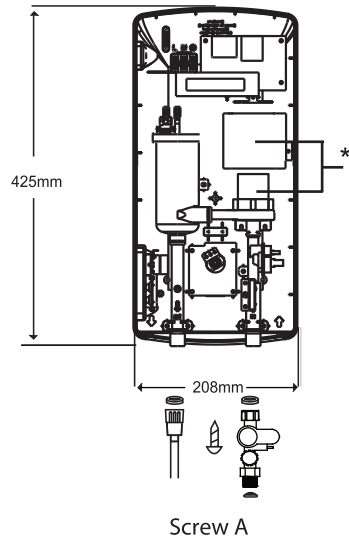


Fig. 3

PLUMBING PROCEDURE-IMPORTANT

CAUTION!

This Heater is a single point system and the 'water outlet' can only be fitted to the PVC hose and handshower set provided. No control valve or fitting can be fitted to the water outlet.

- Connect the stop valve to the water inlet with washer. Use correct tools to tighten and be careful not to over tighten and damage the plastic nut.
- Connect the incoming water pipping end to the Stop Valve (1/2" BSP).
- If the stop valve is omitted, make sure to put the filter between the water heater inlet pipe and incoming water pipe.

WARNING !

- The water inlet and outlet must be installed correctly for the heater to function properly.
- Do not use plumbing cement to connect joints. If necessary, use only thread or S Sealing Tape.

WARNING !

For Pump Model, it is highly recommended to connect the water inlet connection to tank storage supply, otherwise it may cause damage to the Motor Pump.

- Turn on the water mains to drain out plumbing dirt and to fill up the heater tank.
- Do not use white tape during installation.

IMPORTANT:

The heater's tank must be filled up with water before turning on the power supply. This is to prevent any dry boiling damage to the heating element.

- Connect PVC hose and handshower to heater's outlet, and be sure to put in rubber washer.
- Hook handshower to the slider rail shower holder and adjust to your ideal position.
- Check for any water leakage.

ELECTRICAL INSTALLATION-IMPORTANT

WARNING!

- This appliance must be EARTHED. Improper grounding can cause electric shock.
- Remember to switch off mains before carrying out any electrical work.
- Refer to the Table 1 for correct cable size.
- Use double coated cable for length over 2.5mm².
- Lead the power cable from MCB to 'On/Off' double pole linked switch with a contact separation of at least 3mm in all poles outside the bathroom, then lead a cable connected to terminal block inside the product (Fig 4).

PROCEDURE


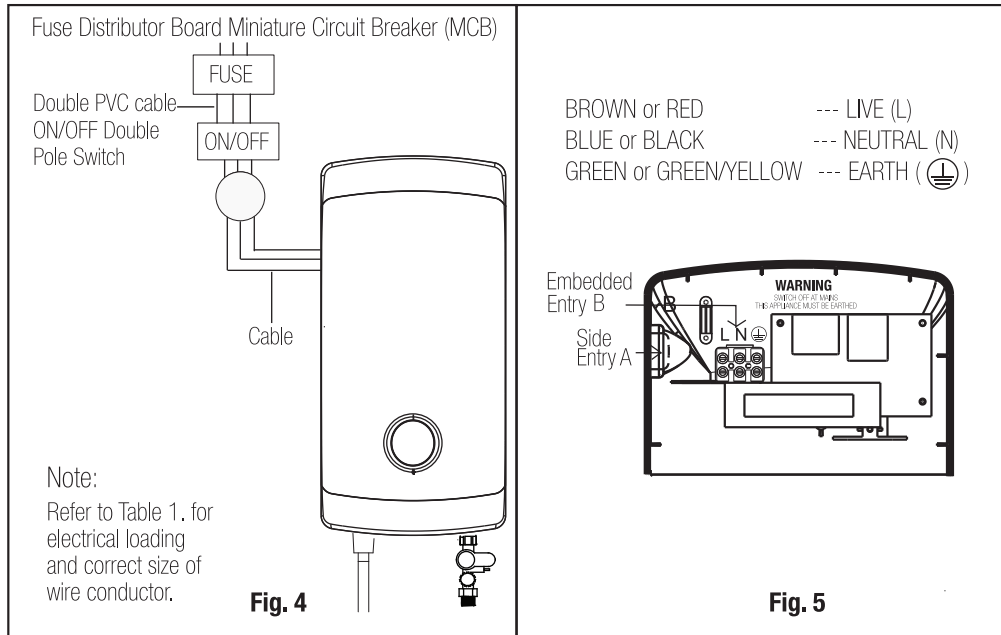
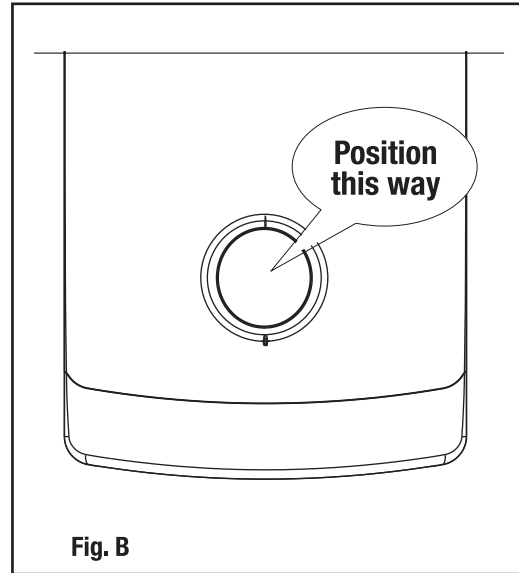
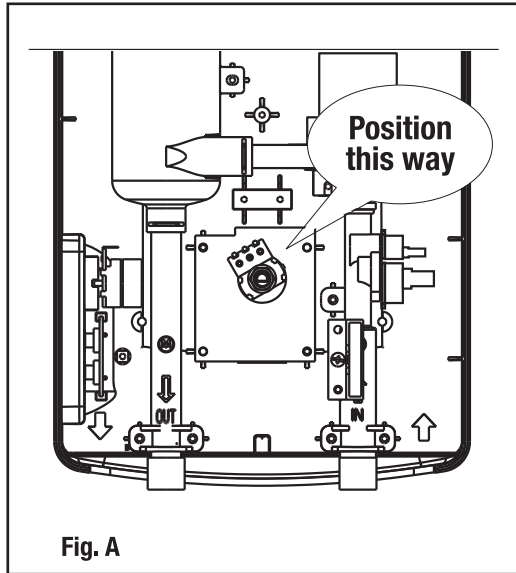
- Insert the cable through 'A' for side entry or 'B' for wall embedded cable by cutting a hole through the source cord rubber holder (Fig 5).
- Connect the cable as follows:
BROWN or RED --- LIVE (L)
BLUE or BLACK --- NEUTRAL (N)
GREEN or GREEN/YELLOW --- EARTH ()
- Clamp the cable at the correct position. Check the wiring connection is correct and replace the cover.
- Fix the temperature control knob properly and screw 'A'.

DIAGRAM FOR ELECTRICAL INSTALLATION



METHOD OF ALIGNMENT WHEN REPLACING FRONT COVER



HOW TO USE WATER HEATER

- Turn on the water supply and stop valve for water to flow through the handshower.
- Switch on the power supply. The white LED indicator light will be on.
- Turn the temperature control knob to 'ON', the white indicator light will gradually turn from white to red at the maximum position. The higher the temperature indicator position, the water becomes hotter.
- The shower may not be hot enough even at the 'MAX' position if the incoming water supply from the mains is too cold or the pressure is too high. In this case, you can adjust the stop valve to reduce the water inflow in order to get the desired water showering temperature.
- Check the built-in ELCB as following:
 - Press the 'TEST' button, the built-in ELCB should trip and cut off the power supply, v red indicator light will change to white and logo indicator light should be off.
 - Press the 'RESET' button, the red indicator light and logo indicator light will be on and the heater should resume normal function.
- The height and direction of shower holder can be adjusted.
Turn the release knob and slide the shower holder to the desired position and move the handshower to the desired angle.
- It is not necessary to turn the temperature control knob to 'OFF' position when the heater is not in use.
- Switch off the electrical power supply after shower.

Table 1

Voltage (AC)	Power (kW)	Current (A)	Minimum Conductor Size (csa)			On/Off Switch (A)	Fuse / MCB (A)
			mm ²	Conduit Cable	Flexible Cable		
240V~ 50/60 Hz	2.5	10.4	2.5	7 / 0.67 mm	50 / 0.25 mm	20	20
	3.3	13.8	2.5	7 / 0.67 mm	50 / 0.25 mm	20	20
	3.6	15.0	4.0	7 / 0.85 mm	56 / 0.30 mm	20	20
	4.0	16.7	2.5	7 / 0.67 mm	56 / 0.25 mm	20	20
	5.0	20.8	4.0	7 / 0.85 mm	56 / 0.30 mm	32	32
230V~ 50/60 Hz	2.4	10.4	2.5	7 / 0.67 mm	50 / 0.25 mm	20	20
	3.0	13.0	2.5	7 / 0.67 mm	50 / 0.25 mm	20	20
	3.3	14.4	2.5	7 / 0.67 mm	56 / 0.25 mm	20	20
	4.0	17.4	2.5	7 / 0.67 mm	56 / 0.25 mm	20	20
	5.0	21.8	4.0	7 / 0.85 mm	56 / 0.30 mm	32	32
220V~ 50/60 Hz	2.4	10.9	2.5	7 / 0.67 mm	50 / 0.25 mm	20	20
	3.5	15.9	2.5	7 / 0.67 mm	50 / 0.25 mm	20	20
	4.5	20.5	2.5	7 / 0.67 mm	56 / 0.25 mm	32	32
	5.5	25.0	4.0	7 / 0.85 mm	56 / 0.30 mm	32	32
	6.0	27.3	4.0	7 / 0.85 mm	56 / 0.30 mm	32	32



This marking indicates that this product should not be disposed with other household wastes throughout the nation. To prevent possible harm to the environment or human health from uncontrolled waste disposal, recycle it responsibly to promote the sustainable reuse of material resources. To return your used product, please use the return and collection systems or contact the retailer where the product was purchased. They can take this product for environmental safe recycling.

Thank you again for choosing TÖUSH products. Should you require further information/assistance, please visit www.pensonic.com or write to us at customerservice@pensonic.com or call our toll-free Care Line at 1-800-881-770.

Töush

Inspired by Pensonic

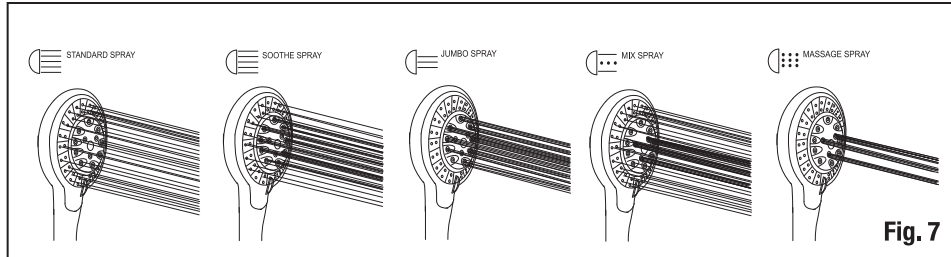
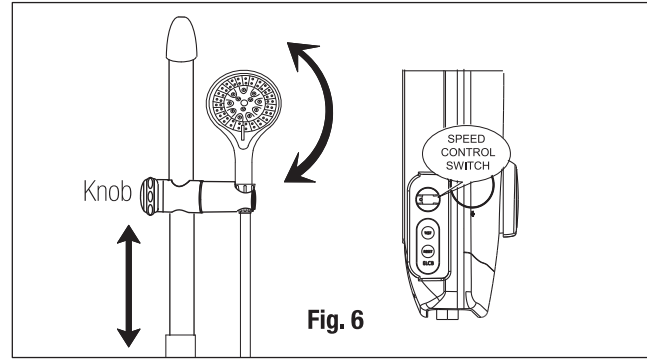
Distributed By:
PENSONIC SALES & SERVICE SDN.BHD.
1165, Lorong Perindustrian Bukit Minyak 16,
Taman Perindustrian Bukit Minyak,
14100 Simpang Ampat, Penang, Malaysia.
Careline : 1800-881-770

For PUMP MODEL:

- Turn on the pump speed control knob to test run the pump.
If the shower is not hot enough, you can adjust the speed by turning the knob until you reach the desired water temperature.

HANDSHOWER SPRAY ACTION

This innovative, adjustable handshower has 5 different spray actions (STANDARD, SOOTHE, JUMBO, MIX and MASSAGE). The actions are described as follows.



Note: Clean the shower head's holes by using a soft brush from time to time. Recommended to clean it once a week. Be careful not to damage the holes of the shower head during cleaning.

CLEANING AND MAINTENANCE

Please read the part under 'Important Guidelines' first.

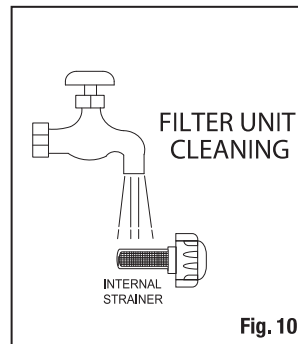
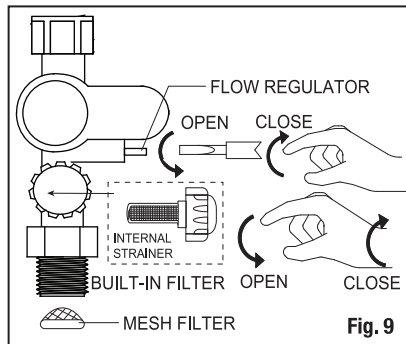
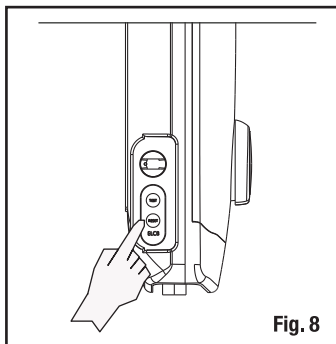
Test the 'ELCB' regularly (Fig. 8)

It is highly recommended to test at least once a month.

- Check the built-in ELCB as following: - Press the 'TEST' button, the Built-in ELCB should trip and cut off the power supply, red indicator light will change to white and logo indicator light should be off.
 - Press the 'RESET' button, the red indicator and logo indicator light will be on and the heater should resume normal function.

WARNING !

- Warning: if the heater does not trip when you press the ELCB Test Button, switch off the mains supply and contact Pensonic Customer Care Centre to repair it. Never repair the product by yourself.
- Do not use thinner, alcohol, petrol or any other organic solutions to clean the product. Use only a damp cloth with mild detergent.
- Clean the filter regularly (Fig.9 & Fig.10) to prevent blockage. Remove the built-in filter by turning its cap anticlockwise. Whenever necessary, flush the internal filter with water to remove any trapped sediments.
- Whenever fixing back the built-in filter, check placement of the internal filter. Use the protruding stop valve as a guide to position the internal filter.



IMPORTANT GUIDELINES

CAUTION !

- Installation must be carried out by qualified personnel and in compliance with the local authority's regulations.
- This heater must be permanently connected to the main current supply. The use of a plug and socket is not recommended.
- For the correct size of wire conductor corresponding to different electrical loading, please refer to Table 1 (Pg 17).
- This heater operates at a minimum water flow rate of 2.0 ltr/min and minimum water pressure of 0.1 Bar (10kPa).
For direct connection to the water tank, the heater must have a minimum height of 1.0m from the water tank.
- This heater will not function if there is insufficient water flow (less than min. 2.0 ltr/min) to trigger the flow switch.
- The built-in ELCB will automatically cut off the power supply even for a current leakage as low as 15mA.
- The thermostat will automatic cut off the power supply if an abnormal rise in showering water temperature is sensed.

IMPORTANT GUIDELINES

WARNING !

- Products manufactured by us are safe provided they are installed, used and maintained in good working order in accordance with our instructions and recommendations. Always refer to this manual if you have any doubts.
- The appliance must be earthed. Improper grounding can cause electric shock.
- Never attempt to repair the product yourself. If any of the following conditions occur, immediately switch off the mains and contact Pensonic Customer Care Centre.
 - if heater begins to make odd noises, emit smells or produce smoke.
 - ELCB and heater indicator light does not light up.
 - water temperature cannot be controlled.
 - if the heater shows signs of a distinct change in performance.
 - if water is leaking inside.
- For pump model, it is highly recommended to connect the water inlet to water tank to prevent damage to the pump's motor.
- Supervision by relevant people who are responsible for safety and well being is necessary when shower is used by those vulnerable such as children, elderly persons, sick persons and physically handicapped persons. The water temperature must be checked before using and from time to time to ensure it is at a safe temperature.
- When there is lightning or thunder, switch it off earlier to protect the water heater against possible damage.
- **WARNING:** Do not use metallic/chromed hose and conductive control valve.

Note: When removing product from package, some water may be present in the product. This is normal and due to product testing during manufacturing.